

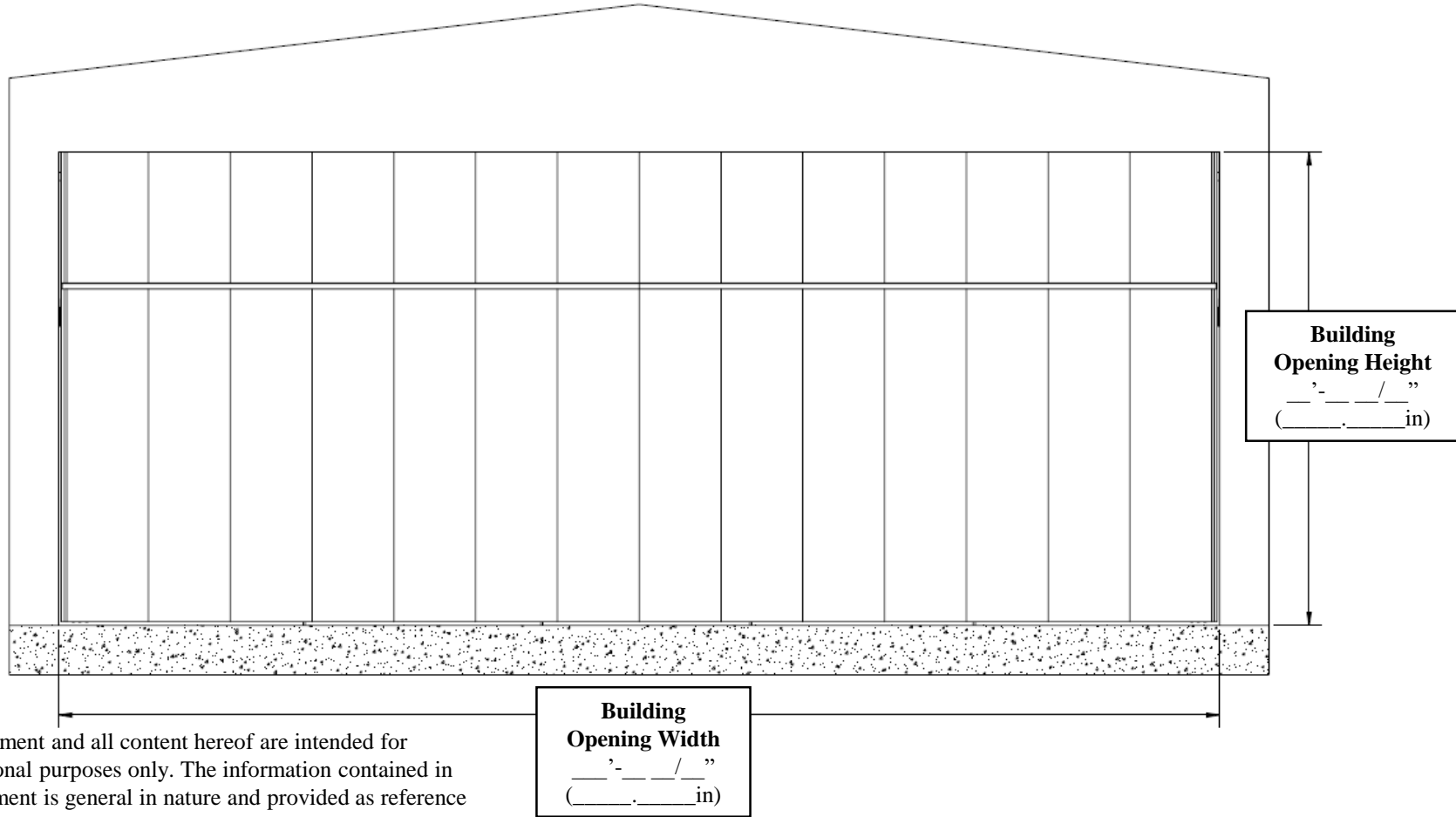


Alamo Door Systems of Texas
16358 Nacogdoches Rd.
San Antonio, TX 78247

Phone: (210) 657-1150
Fax: (210) 657-0327
www.alamohangardoor.com

Customer: _____
Job ID: _____
Quote Date: _____

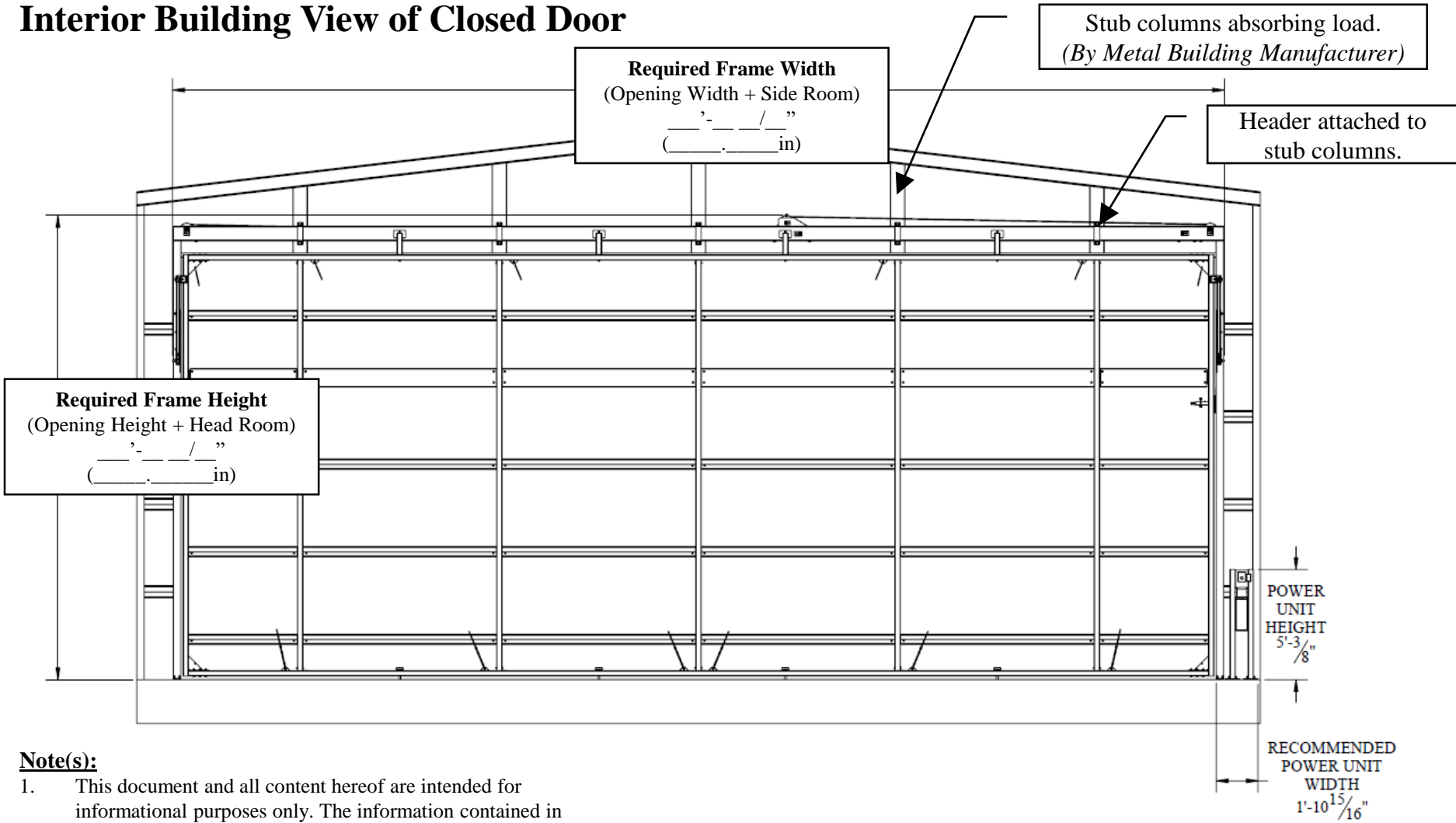
Exterior Building View of Door



Note(s):

1. This document and all content hereof are intended for informational purposes only. The information contained in this document is general in nature and provided as reference material ONLY.
2. All dimensions, features, and instances are project-specific.

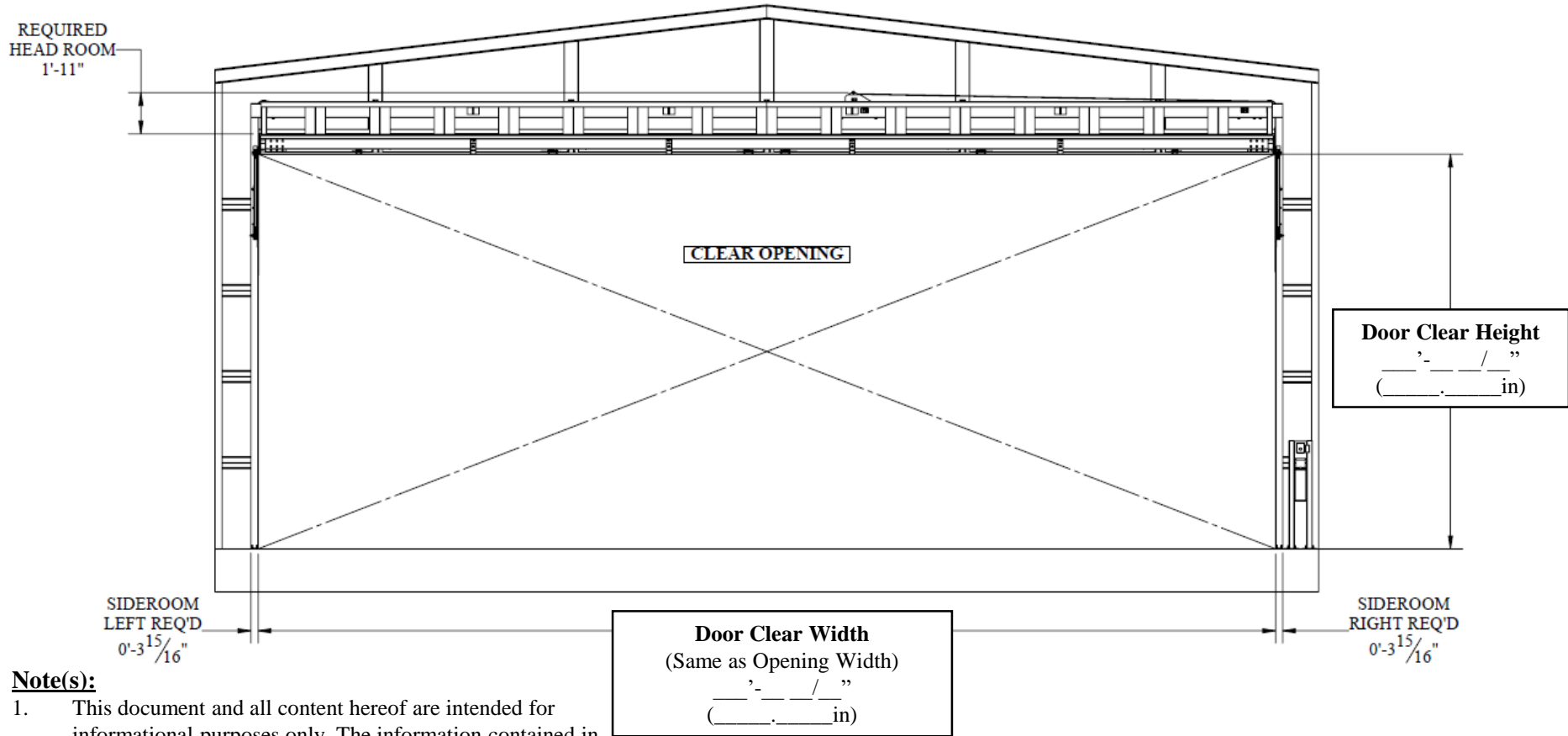
Interior Building View of Closed Door



Note(s):

1. This document and all content hereof are intended for informational purposes only. The information contained in this document is general in nature and provided as reference material ONLY.
2. All dimensions, features, and instances are project-specific.

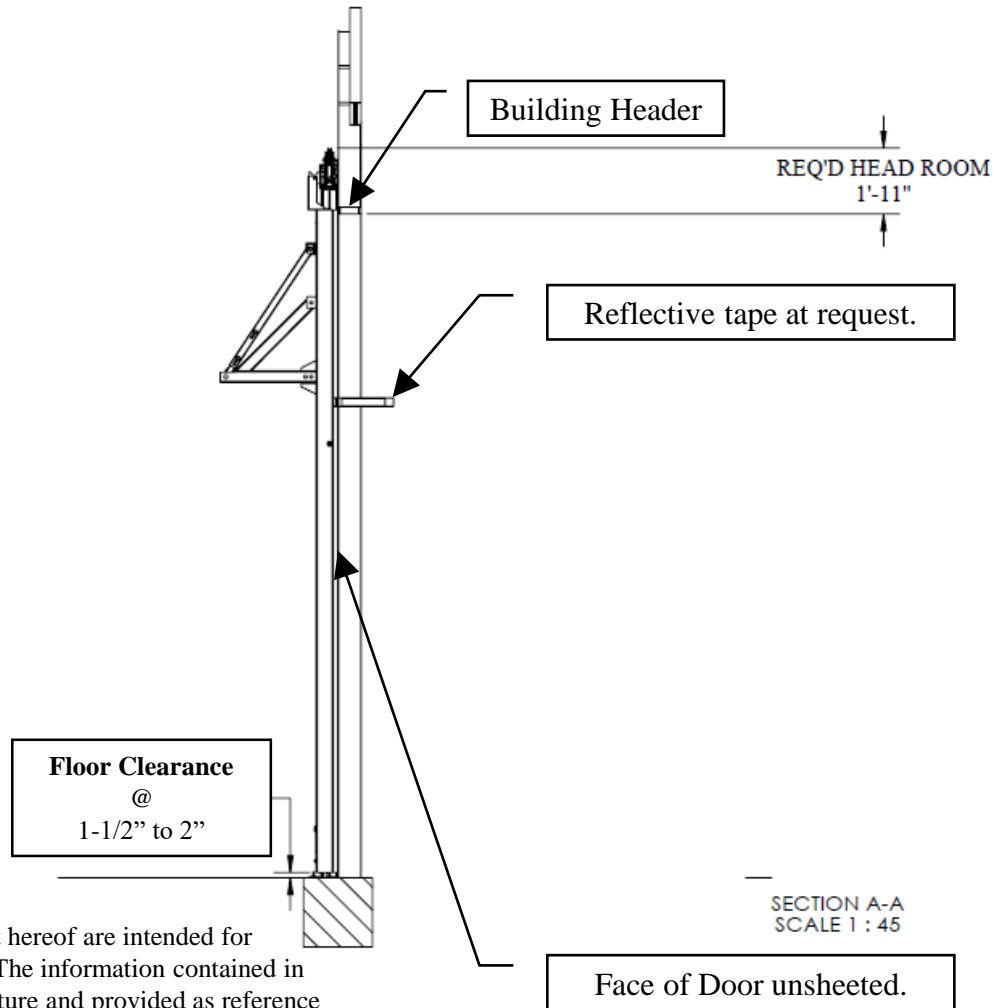
Interior Building View of Open Door



Note(s):

1. This document and all content hereof are intended for informational purposes only. The information contained in this document is general in nature and provided as reference material ONLY.
2. All dimensions, features, and instances are project-specific.

Side Building View of Closed Door



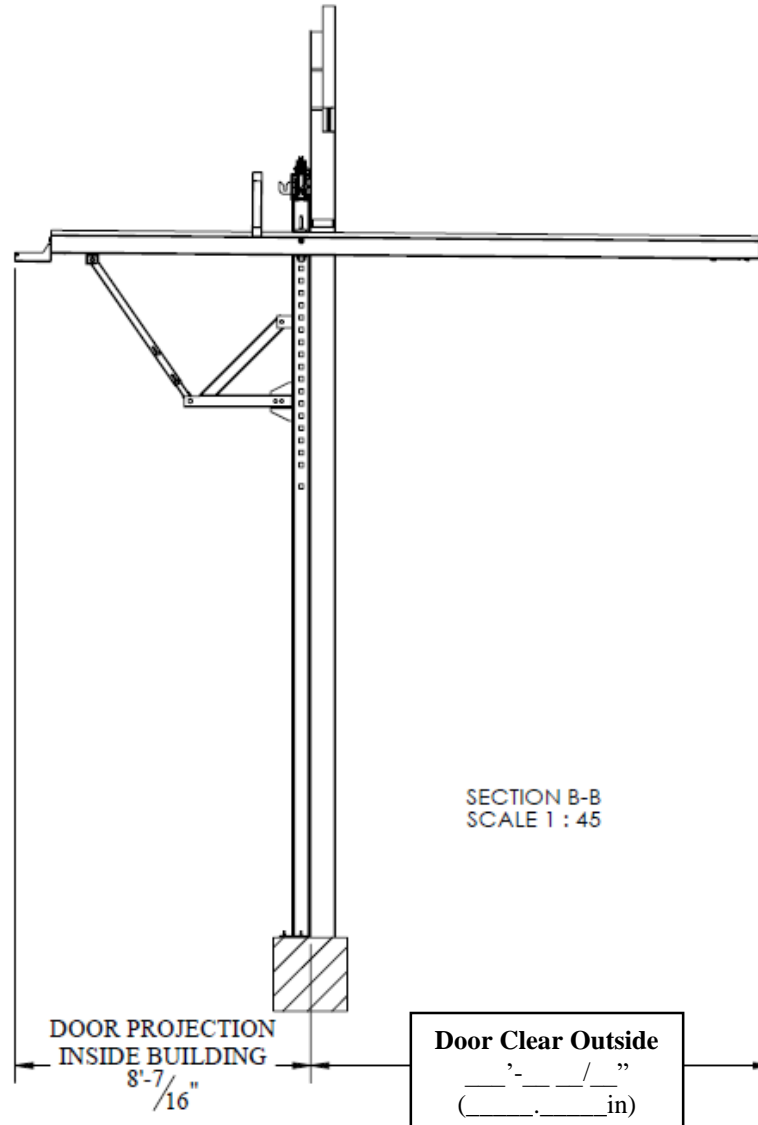
Note(s):

1. This document and all content hereof are intended for informational purposes only. The information contained in this document is general in nature and provided as reference material ONLY.
2. All dimensions, features, and instances are project-specific.

Side Building View of Open Door

INTERIOR

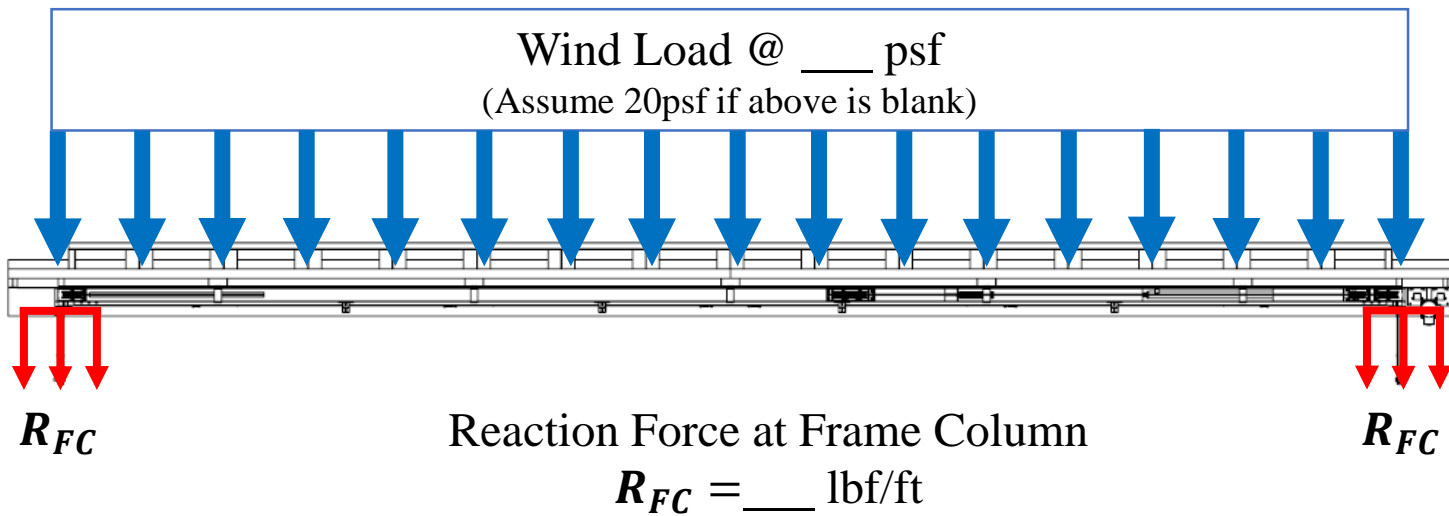
EXTERIOR



Note(s):

1. This document and all content hereof are intended for informational purposes only. The information contained in this document is general in nature and provided as reference material ONLY.
2. All dimensions, features, and instances are project-specific.

Top Building View of Closed Door Wind Load



Note(s):

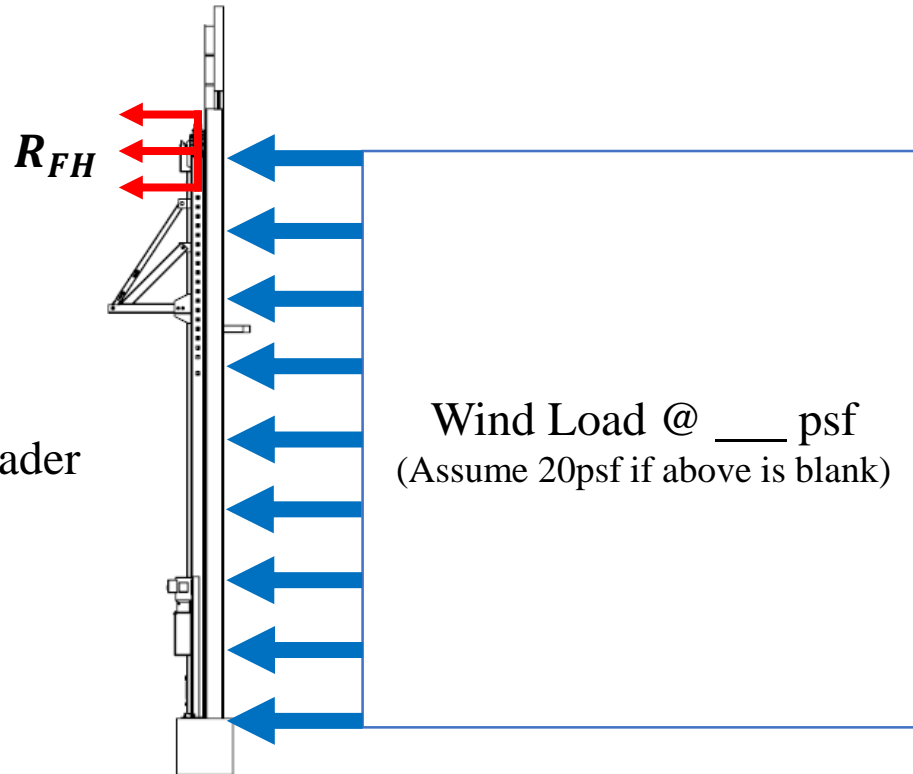
1. This document and all content hereof are intended for informational purposes only. The information contained in this document is general in nature and provided as reference material ONLY.
2. All dimensions, features, and instances are project-specific.

Side Building View of Closed Door Wind Load

Number of Wind Locks = ____

Reaction Force at Frame Header

$$R_{FH} = \text{____ lbf/ft}$$



Note(s):

1. This document and all content hereof are intended for informational purposes only. The information contained in this document is general in nature and provided as reference material ONLY.
2. All dimensions, features, and instances are project-specific.