



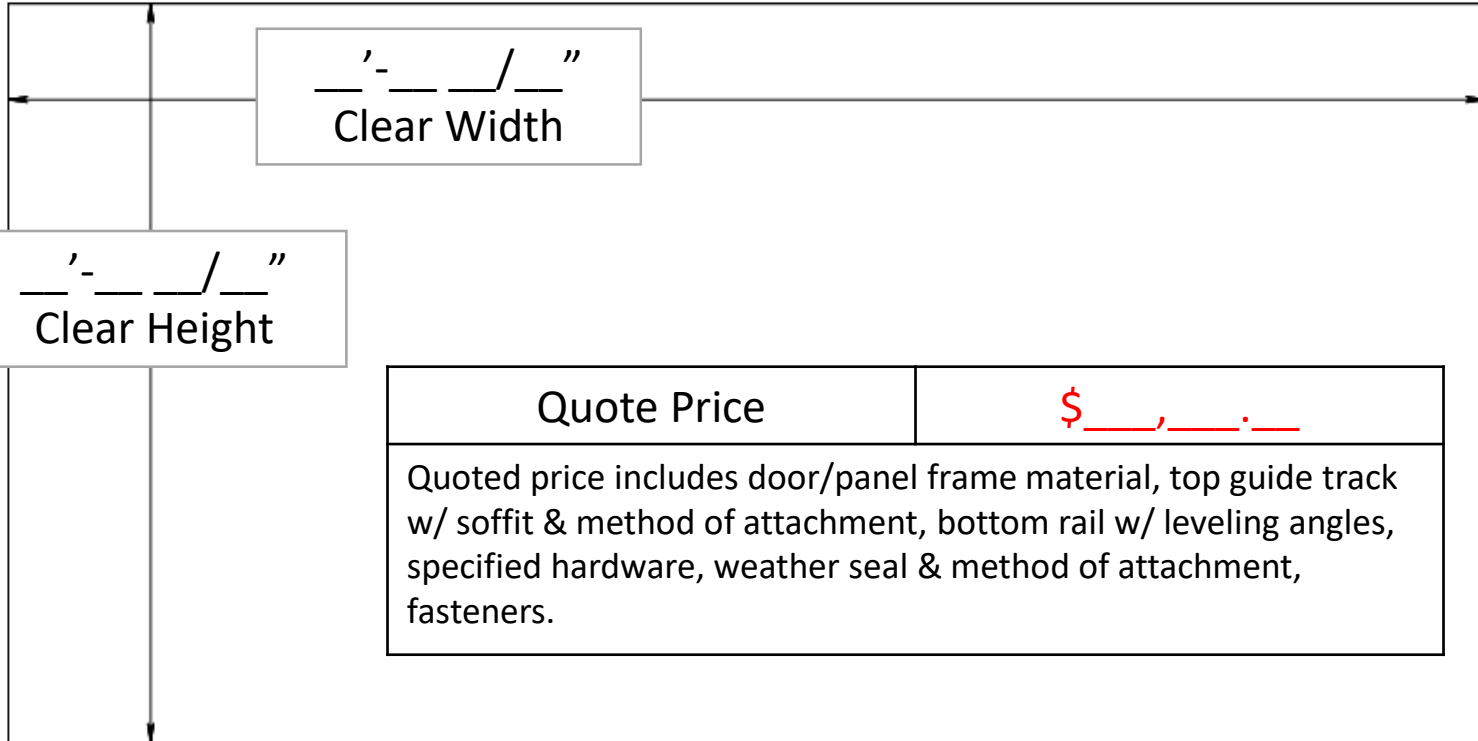
Alamo Door Systems of Texas  
 16358 Nacogdoches Rd.  
 San Antonio, TX 78247

Phone: (210) 657-1150  
 Fax: (210) 657-0327  
 www.alamohangardoors.com

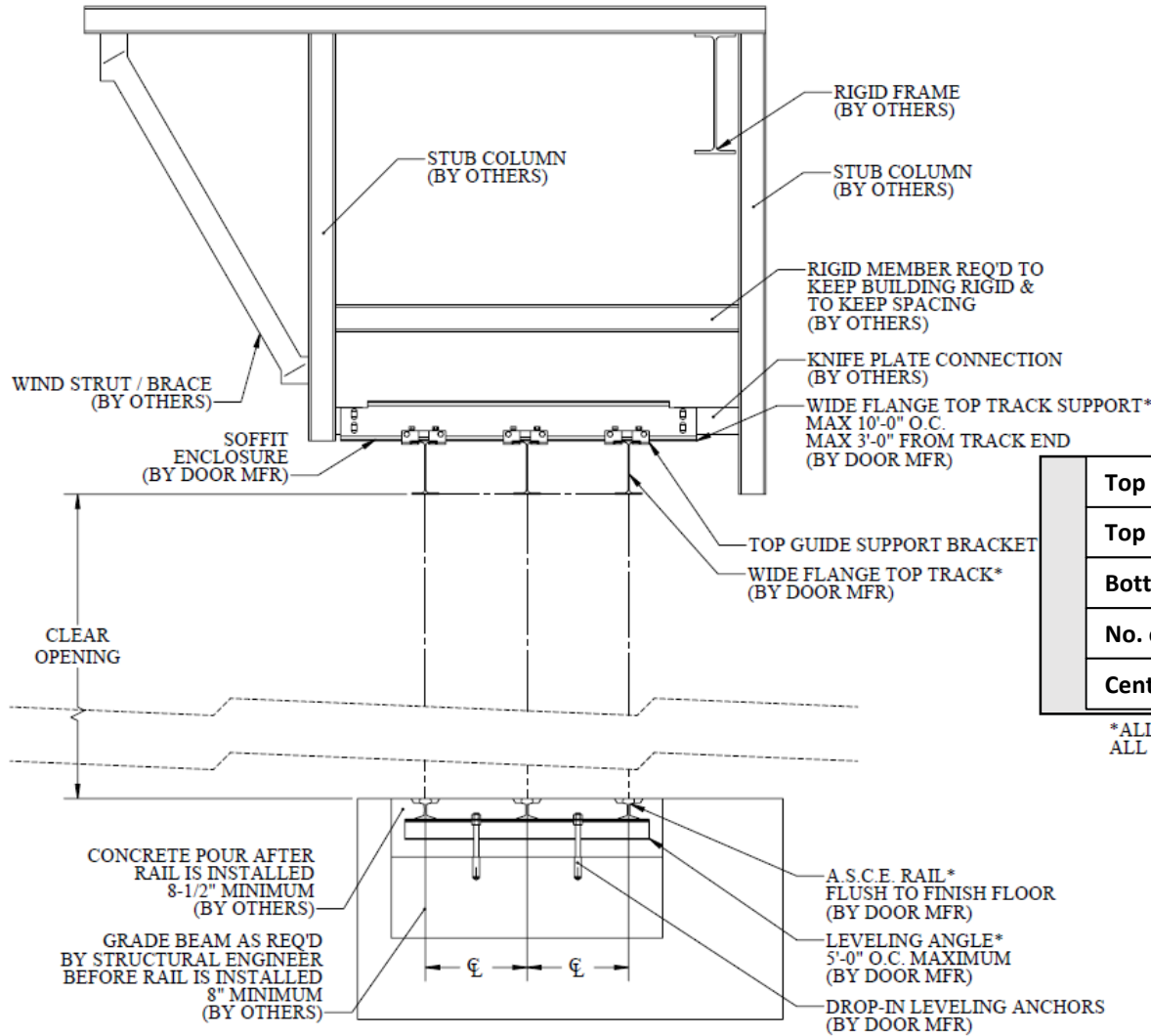
Customer: \_\_\_\_\_  
 Job ID: \_\_\_\_\_  
 Quote Date: \_\_\_\_\_

**Note(s):**

1. This document and all content hereof are intended for informational purposes only. The information contained in this document is general in nature and provided as reference material ONLY.
2. All dimensions, features, and instances are project-specific.

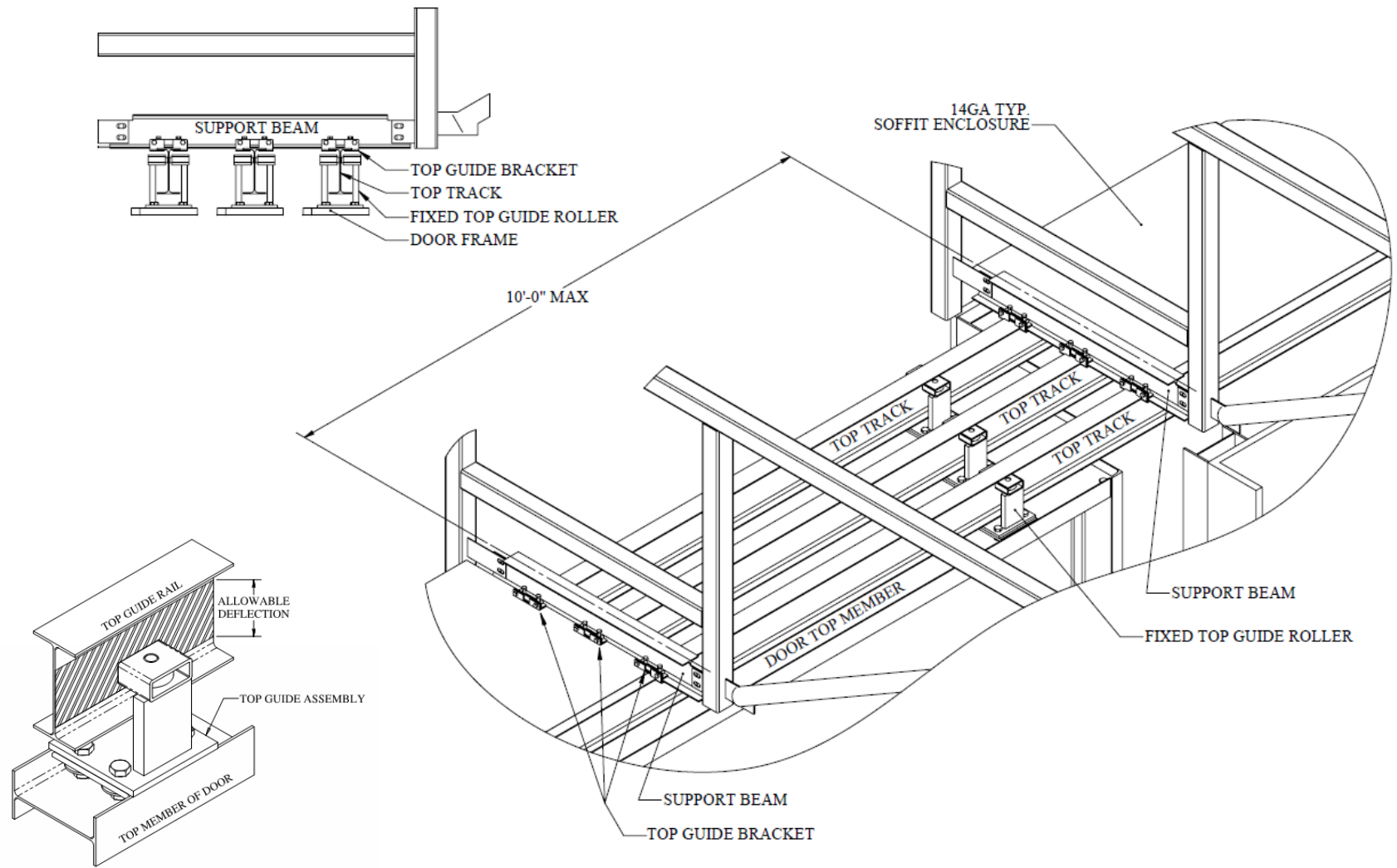


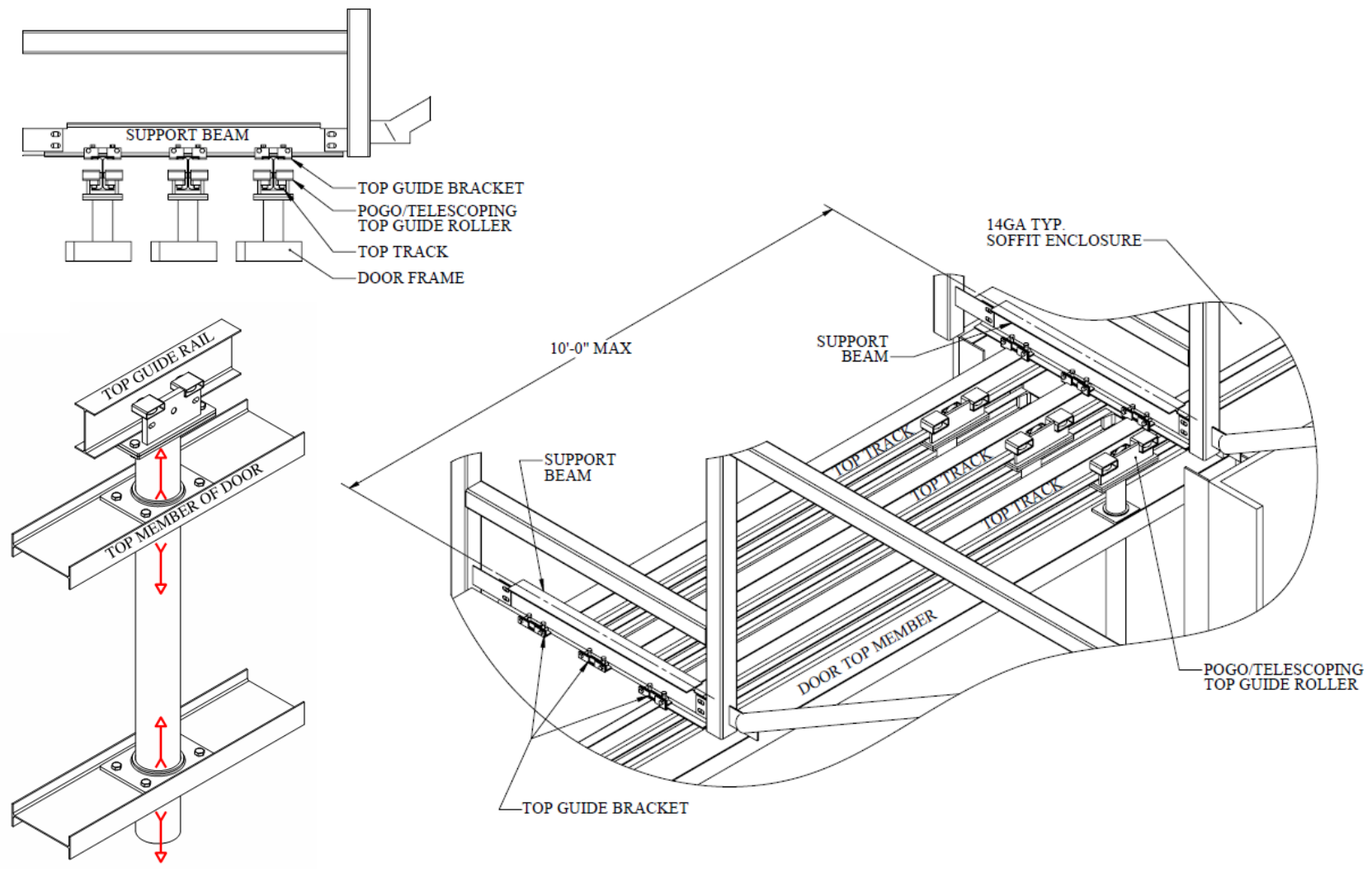
Quote Price	\$___,___:___
Quoted price includes door/panel frame material, top guide track w/ soffit & method of attachment, bottom rail w/ leveling angles, specified hardware, weather seal & method of attachment, fasteners.	

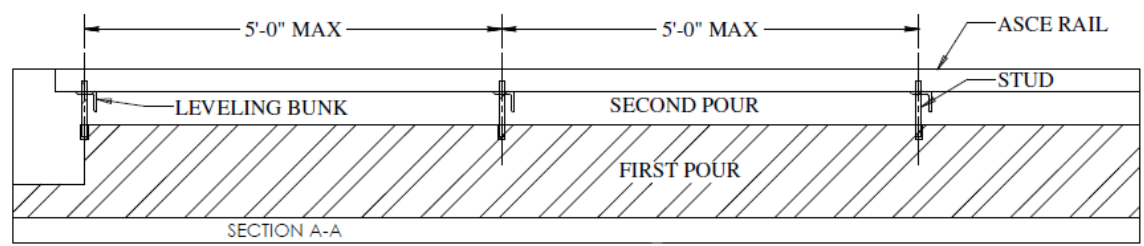
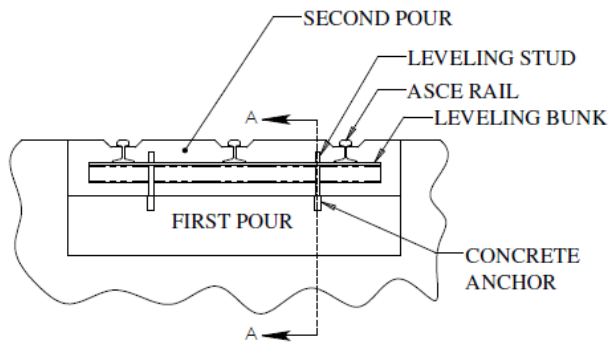
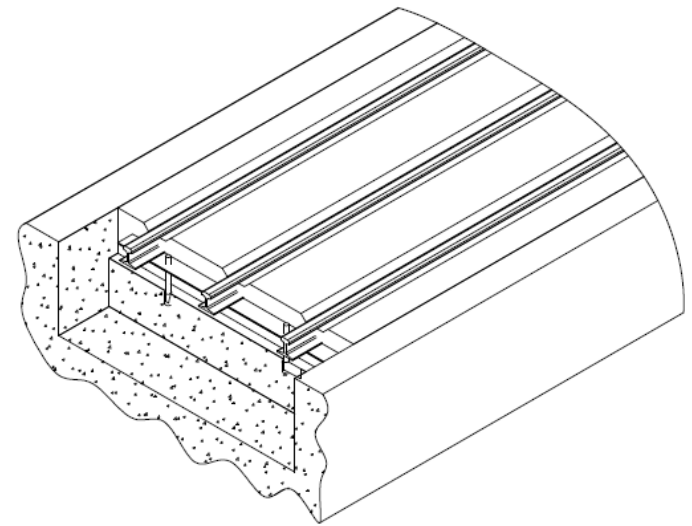


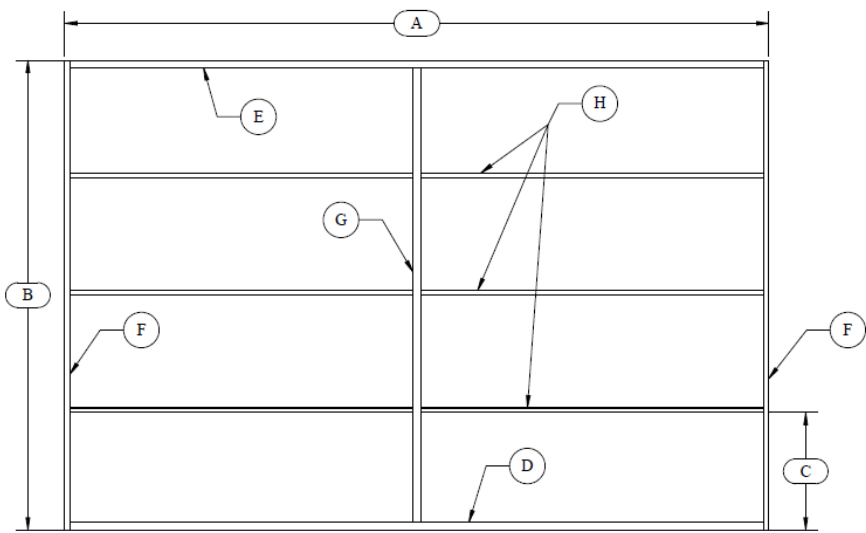
<b>Top Track Support</b>	W ___ x ___
<b>Top Track Members</b>	W ___ x ___
<b>Bottom Track</b>	ASCE ___ LBF Rail
<b>No. of Panels</b>	___ Panel
<b>Centerline Distance</b>	___ - ___ / ___" minimum

\*ALL DIMENSIONS & NO. OF RAILS ARE PROJECT SPECIFIC  
ALL DPECTIONS ARE FOR REFERENCE ONLY









### DOOR PANEL

A. PANEL WIDTH	__'-__ / __"		
B. PANEL HEIGHT	__'-__ / __"		
C. GIRT SPACING	__'-__ / __"		
D. BOTTOM MEMBER			
E. TOP MEMBER			
F. END VERTICAL			
G. INT. VERTICAL		QTY.	
H. TYP. GIRT		QTY.	
NUMBER OF PANELS	_____		

### ADDITIONAL NOTES

---



---



---



---



---



---



---



---